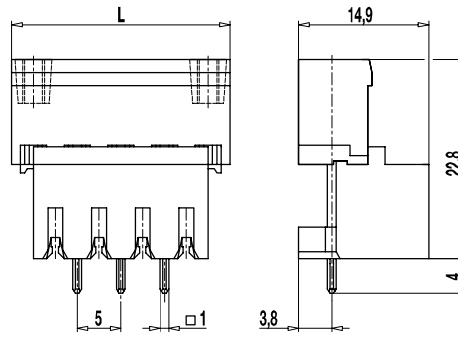
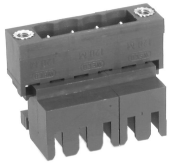


120-M-295

Pin strip
 Plug-in direction vertical to PCB, tall version, with connecting flanges



GENERAL INFORMATION

Pitch	5 mm
No. of poles	2 - 12
Usable with	all plug connectors of series 120

TECHNICAL DATA

Overvoltage Category	III	III	II
Pollution Severity Level	3	2	2
Rated Voltage	250 V	320 V	630 V
Rated Impulse Voltage	4 kV	4 kV	4 kV
Rated Insulation Voltage	250 V acc. to EN 60998-1		
Rated Current	12 A		
Hole in PCB	ø 1,4 mm		

APPROVALS

	Current [A]	Voltage [V]	Group	AWG	[Nm]
	15	300	B		
	10	300	D		
	15	300	B		
	10	300	D, E		

MATERIAL

Moulding	PA, grey, V-0
Comparative Tracking Index	CTI ≥ 600
Insulating Group	I
Temperature Range	-40°C up to 100°C
Solder pin	1,0 x 1,0 mm; tin plated brass

OPTIONS / ACCESSORIES

- Consecutive numbering
- Special marking according to drawing
- Self-adhesive marking strip BST-5,00
- Pitch of 10 mm for larger clearance and creepage distances
- Coding elements 120-K
- Connectors equipped with coding elements on request

CONFIGURATIONS

Poles	Part number	Article number	Length (L)	Packaging	PU
2	120-M-295/02	25.806.202	20,00 mm	Box	100
3	120-M-295/03	25.806.203	25,00 mm	Box	100
4	120-M-295/04	25.806.204	30,00 mm	Box	100
5	120-M-295/05	25.806.205	35,00 mm	Box	50
6	120-M-295/06	25.806.206	40,00 mm	Box	50

further number of poles on request

